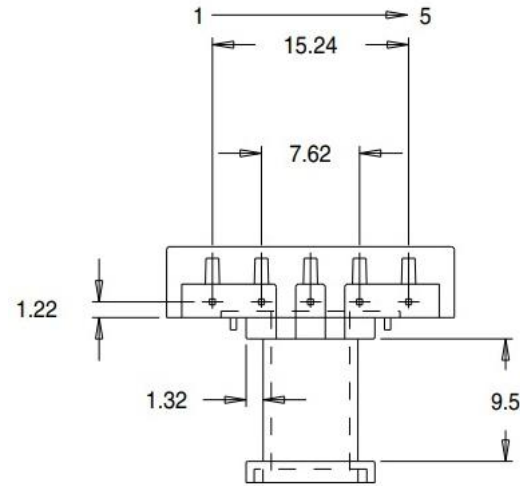
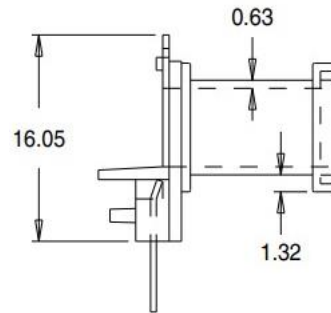
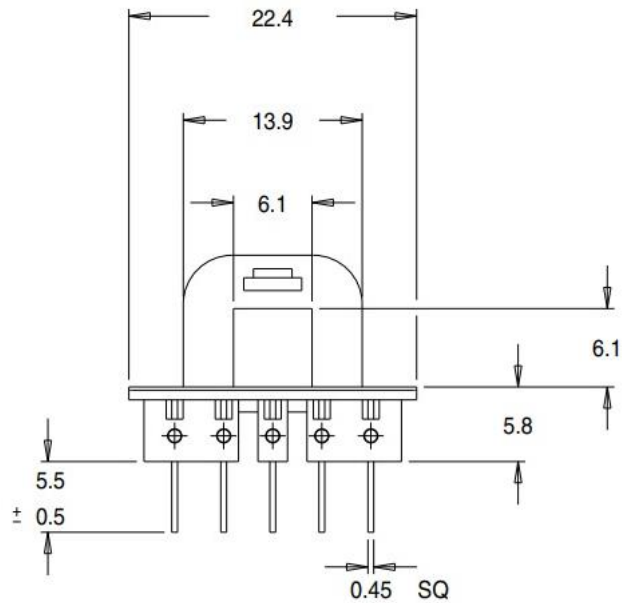




FE0076



Part Number FE0076	Part Weight (g) 1	Carton Quantity 6000	Pinning Configuration TPB-SQ-045 1:2:3:4:5:
Order Code FE0076FGNNAT0001	Material Nylon PA66	Carton Size (mm) 465x315x260	Pin Length (mm) (from standoff) 5.5
Part Description Bobbin E20 H Pri 5P 1S Concentric	Material Datasheets	Related Items n/a	Terminal Pin Material Phosphor Bronze
Product Range E/EF Range	UL Rating UL94V0	3D CAD Image	Compliance information

MILES - PLATTS

+44 (0)116 264 3850

milesplatts.co.uk

enquiries@milesplatts.co.uk